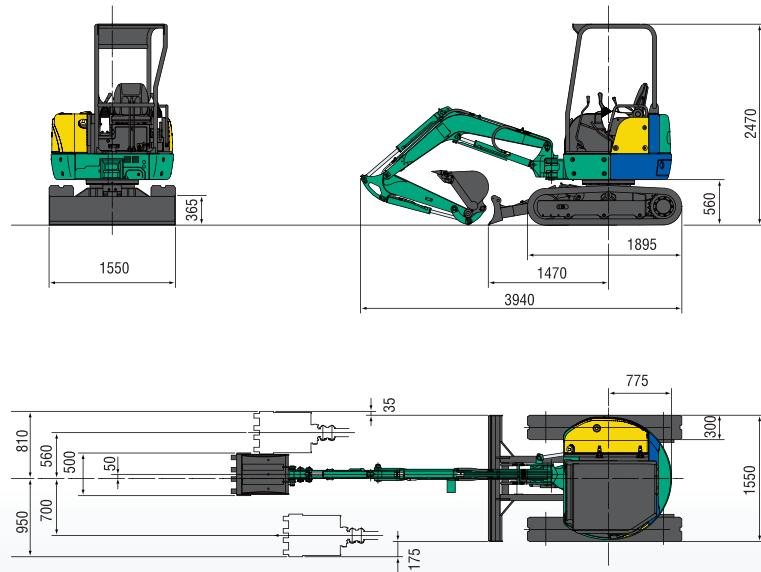
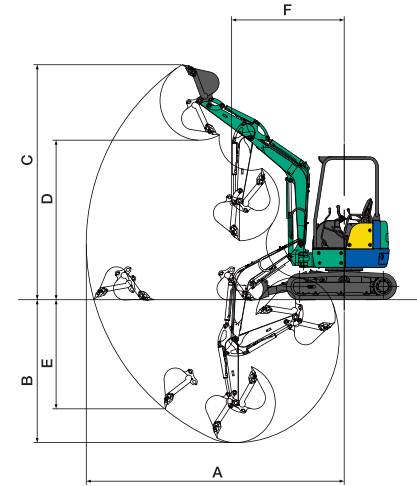


■ Dimensions (Unit:mm)



■ Working Range (Unit:mm)



	4post or Cabin	1post
A Max. digging radius	4500 (4750)	4500 (4750)
B Max. digging depth	2520 (2820)	2520 (2820)
C Max. digging height	4050 (4280)	4560 (4830)
D Max. dumping height	2750 (2970)	3200 (3470)
E Max. vertical digging depth	1950 (2220)	1950 (2220)
F Min. front turning radius	1940 (2040)	1640 (1830)
At right boom swing	1510 (1600)	1260 (1410)

※4Post : ROPS/TOPS Canopy
 ※Cabin : ROPS/TOPS Cabin
 ※1Post : 1Post Canopy
 ※ () : Figures for long arm



25VX

Mini Excavator

Standard Bucket Capacity : ISO 0.08m³

2.5ton, 1.55m Width.
Outstanding Performance, Compact Size.

■ 25VX Specifications

Model	25VX
• Performance	
Bucket capacity	0.08m ³
Bucket width	500mm
Operating weight : 4post (Cabin)	2655kg (2755kg)
Transportation weight : 4post (Cabin)	2580kg (2680kg)
Swing speed	10min ⁻¹
Travel speed (low/high)	2.3/4.5km/h
Gradeability	58% (30°)
Ground pressure	27kPa (0.28kgf/cm ²)
Max.bucket digging force	19.6kN (2000kgf)
• Engine	
Model	YANMAR 3TNV76
Rated output	13.5kW(18.4PS)/2300min ⁻¹
Fuel tank capacity	35 L
• Boom swing system	
Type	Boom offset with hydraulic cylinder
Swing angle (L/R)	50° / 90°
• Hydraulic system	
Pressure	20.6MPa (210kgf/cm ²), 18.1MPa (185kgf/cm ²)
Pump hydraulic flow	29.9L/min × 2 + 19.8L/min
• Dozer blade	
Size	1550mm × 365mm
Lift above ground / Drop below ground	370mm / 390mm



1 Post Canopy



Steel Cabin



Rubber Pad for Steel Shoe

■ Options

	Bucket
• Long-arm (standard + 300mm)	
• Steel Shoe (300mm)	0.04m ³ / Digging bucket (250mm width)*
• Auxiliary hydraulic piping (48L/min)	0.05m ³ / Digging bucket (320mm width)*
• 1 Post Canopy	0.06m ³ / Long arm bucket (400mm width)
• Steel cabin	0.07m ³ / Digging bucket (450mm width)
• Rubber Pad for Steel Shoe	0.09m ³ / Loading bucket (550mm width)

*without side cutter



High-power clean engine.

Equipped with large engine to deliver substantial performance in combination with the variable pump with power shift.



Closer distance between bucket and dozer blade.

By optimizing attachment geometry, digging performance near the dozer blade has been improved.



Joystick lever and roomy operator's seat.

Joystick lever control enables precision operation.



Full-opening cover.

The engine cover, right side cover all can easily be fully opened.

Eco-friendliness and Safety

- Engine compliant with gas emission for EC Stage IIIA and EPA Tier4.
- Conform to the EC low noise regulation.
- 4 post canopy (ROPS&TOPS) equipped as standard.
- Swing parking brake equipped as standard.

Easy Operation

- Closer distance between bucket and dozer blade.
- A large dozer blade makes bulldozing easier and offers high durability.
- Joystick lever control enables precision operation.
- Keeps boom drift at minimal levels.

Easy Maintenance

- Sintering metal bush extends greasing interval.
- Aluminum made radiator and oil cooler resist against rusting.
- Segmented boom cylinder hoses for easier replacement.
- Full-opening engine cover for easy maintenance.

Rugged Body

- The engine cover and the side cover are the rugged pressed steel.
- Equipped rugged dozer blade.
- Bucket cylinder hoses are placed inside of arm.