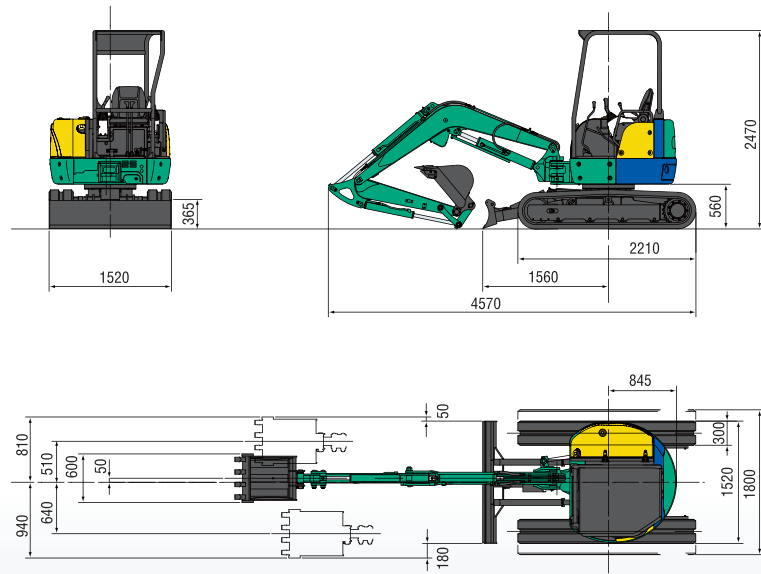
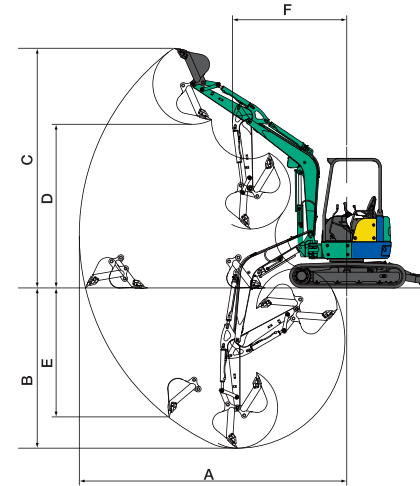


## ■ Dimensions (Unit:mm)



## ■ Working Range (Unit:mm)



	4post or Cabin	1post
A Max. digging radius	5090 (5410)	5090 (5410)
B Max. digging depth	3150 (3450)	3150 (3450)
C Max. digging height	4560 (4840)	5190 (5500)
D Max. dumping height	3120 (3370)	3670 (3970)
E Max. vertical digging depth	2500 (2950)	2500 (2950)
F Min. front turning radius	2180 (2180)	1720 (1910)
At right boom swing	1730 (1730)	1350 (1520)

※4Post : ROPS/TOPS Canopy  
 ※Cabin : TOPS Cabin  
 ※1Post : 1Post Canopy  
 ※( ) : Figures for long arm



# 35VX

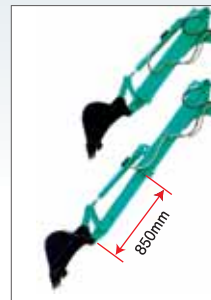
## Mini Excavator

Standard Bucket Capacity : ISO 0.11m<sup>3</sup>

**Unrivalled 1.52m-1.8m Variable Width.  
 Stability and Transportability.**

## ■ 35VX2 Specifications

Model	35VX2
• Performance	
Bucket capacity	0.11m <sup>3</sup>
Bucket width	600mm
Operating weight : 4post (Cabin)	3405kg (3505kg)
Transportation weight : 4post (Cabin)	3330kg (3430kg)
Swing speed	8.8min <sup>-1</sup>
Travel speed (low/high)	2.8/4.8km/h
Gradeability	58% (30°)
Ground pressure	29kPa (0.29kgf/cm <sup>2</sup> )
Max.bucket digging force	26.5kN (2700kgf)
• Engine	
Model	YANMAR 3TNV88
Rated output	20.3kW(27.6PS)/2300min <sup>-1</sup>
Fuel tank capacity	35 L
• Boom swing system	
Type	Boom offset with hydraulic cylinder
Swing angle (L/R)	50° / 90°
• Hydraulic system	
Pressure	20.6MPa (210kgf/cm <sup>2</sup> ), 24.5MPa (250kgf/cm <sup>2</sup> )
Pump hydraulic flow	40.3L/min × 2 + 24.6L/min
• Dozer blade	
Size	1520mm × 365mm
Lift above ground / Drop below ground	370mm / 390mm



Slide Arm



1 Post Canopy



Steel Cabin

## ■ Options

- Long-arm (standard + 300mm)
- Slide Arm
- Steel Shoe (300mm)
- Auxiliary hydraulic piping (63L/min)
- 1 Post Canopy
- Steel cabin
- Rubber Pad for Steel Shoe
- Double air element

Bucket
0.05m <sup>3</sup> / Digging bucket (400mm width)
0.08m <sup>3</sup> / Long arm bucket (500mm width)
0.12m <sup>3</sup> / Loading bucket (660mm width)



## Wide Spanner

Spanner function(1520mm ↔ 1800mm) has been equipped as standard. The wide span amount contributes to improved stability while allowing entry into tight spaces.



## Closer distance between bucket and dozer blade.

By optimizing attachment geometry, digging performance near the dozer blade has been improved.



## New environmentally friendly engine.

Clean engine compliant with gas emission for EC Stage IIIA and EPA Interim Tier4.



## Full-opening cover.

The engine cover, right side cover all can easily be fully opened.

## Eco-friendliness and Safety

- Engine compliant with gas emission for EC Stage IIIA and EPA Tier4.
- Conform to the EC low noise regulation.
- 4 post canopy (ROPS&TOPS) equipped as standard.
- Swing parking brake equipped as standard.

## Easy Operation

- Closer distance between bucket and dozer blade.
- Joystick lever control enables precision operation.
- Keeps boom drift at minimal levels.
- Achieves largest operation space in its class.
- A large dozer blade makes bulldozing easier and offers high durability.
- Spanner function(1520mm ↔ 1800mm) has been equipped as standard.

## Easy Maintenance

- Sintering metal bush extends greasing interval.
- Aluminum made radiator and oil cooler resist against rusting.
- Segmented boom cylinder hoses for easier replacement.
- Full-opening engine cover for easy maintenance.

## Rugged Body

- Embedded boom lamp to prevent damage.
- The engine cover and the side cover are the pressed steel and very rugged.
- Bucket cylinder hoses are placed inside of arm.