

The 4.4-ton machine compatible with transport-ability and powerful job.

 Assurance that IHI excavators are environment-conscious.

40VX³



* Cabin as standard equipment

Operability

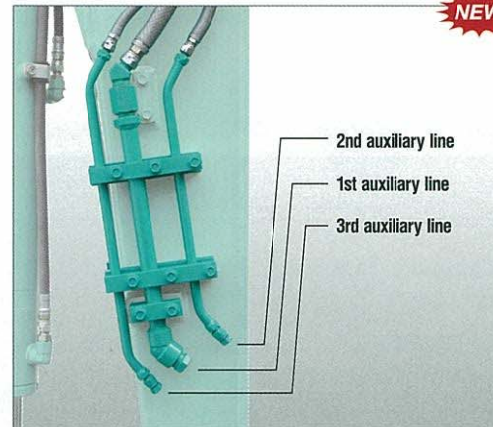
Newly designed operator's space



NEW

The new cockpit ensures safe and comfortable operations.
* See Page 26 for details.

Additional auxiliary hydraulic lines (optional)



NEW

In addition to the conventional auxiliary hydraulic line, two more lines are now available for versatile hydraulic attachments, enabling you to handle a wider range of hydraulic attachments.
* See Page 27 for details.

Close distance between bucket and blade



Close proximity of the bucket and dozer blade makes skimming and excavation work easier.

Large-size blade makes ground-leveling work easier

Easy Maintenance

Wide, fully opening engine-cover enables ease of maintenance



Segmented blade cylinder hose design makes replacement easier



NEW

- Easy accessible tool box
- Filters are conveniently located, making it easy to replace them
- Sintered bushes create longer interval for greasing

Segmented boom cylinder hose design makes replacement easier



Durability



NEW

Warranted, highly durable rubber shoe comes as standard equipment

Like no others in the industry, the rubber shoe is warranted for either 2 years or 1,500 hours against steel cord cut-off.
* See Page 27 for details.

Highly durable blades made even stronger



NEW

* See Page 27 for details.

Embedded boom center working lights



NEW

Bucket cylinder hose built inside the arm



New castle-nut design reduces horizontal tolerance



NEW

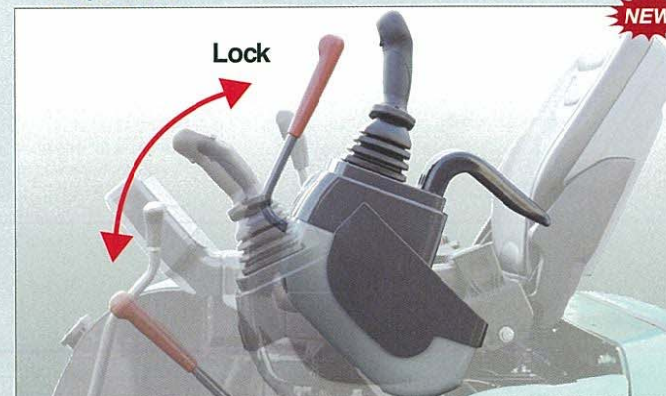
The arm-end and boom-arm joint are fixed with castle nuts. The reduction of horizontal tolerance is achieved.
* See Page 27 for details.

Durable, anti-corrosive aluminum radiator

Rugged steel-pressed engine cover

Safety

Gate lock system as standard equipment is designed to block up all operations



NEW

The master gate lock system enables you to block up all functions such as boom, arm, bucket, swing, boom swing, travel and blade.

ROPS/TOPS cabin comes as standard equipment



Neutral engine start system.

The engine can start when the gate-lock is pulled up to avoid mis-operations.

Swing motor with auto parking brake

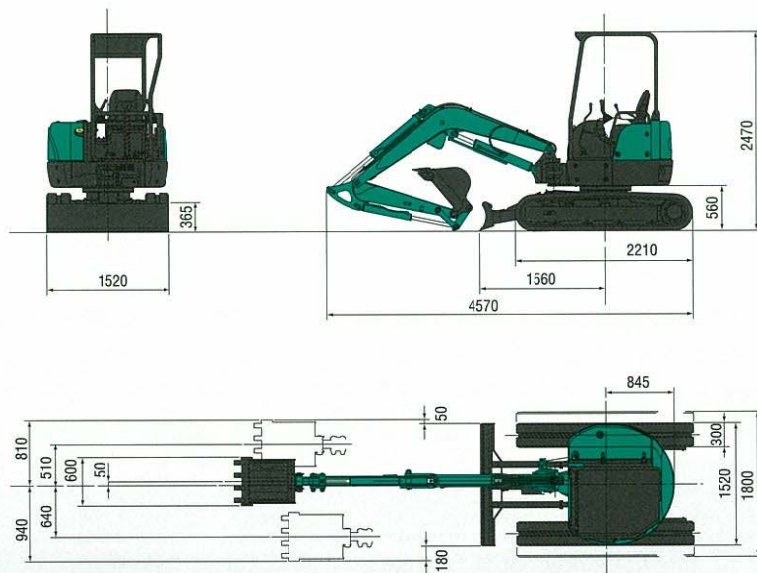
Featuring swing motor with an auto parking brake, the machine can be swung and locked at any position within a 360° circumference.

35VX³ Mini Excavator

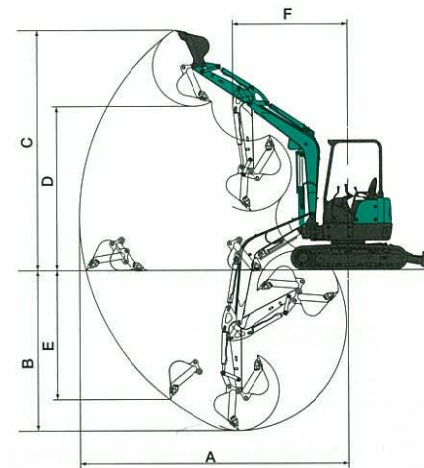
Standard Bucket Capacity : ISO 0.11m³



■ Dimensions (Unit:mm)



■ Working Range (Unit:mm)



	4-Post or Cabin	2-Post canopy
A Max. digging radius	5090 (5410)	5090 (5410)
B Max. digging depth	3150 (3450)	3150 (3450)
C Max. digging height	4560 (4840)	5190 (5500)
D Max. dumping height	3120 (3370)	3670 (3970)
E Max. vertical digging depth	2500 (2950)	2500 (2950)
F Min. front turning radius	2180 (2180)	1720 (1910)
At right boom swing	1730 (1730)	1350 (1520)

※ () : Figures for long arm

■ 35VX3 Specifications

Performance		Boom swing system	
Bucket capacity	0.11m ³	Type	Boom offset with hydraulic cylinder
Bucket width	600mm	Swing angle (L/R)	90°/50°
Operating weight: Cabin (4-Post)	3405kg (3505kg)	Hydraulic system	
Transportation weight: Cabin (4-Post)	3330kg (3430kg)	Pressure	20.6MPa (210kgf/cm ²), 24.5MPa (250kgf/cm ²)
Swing speed	8.8min ⁻¹	Pump hydraulic flow	40.3L/min×2+24.6L/min
Travel speed (low/high)	2.8/4.8km/h	Dozer blade	
Gradeability	58%(30°)	Size	1520mm×365mm
Ground pressure	29kPa (0.29kgf/cm ²)	Lift above ground / Drop below ground	370mm/390mm
Max bucket digging force	26.5kW (2700kgf)	Max auxiliary flow	
Engine		1st line	63L/min
Model	YANMAR 3TNV88	2nd line	24L/min
Rated output	20.3kW/2300min ⁻¹ (27.6PS/2300rpm)		
Fuel tank capacity	35L		

■ Options

- Bucket
 - 0.055m³/Digging bucket (400mm width)
 - 0.08m³/Long arm bucket (500mm width)
 - 0.12m³/Loading bucket (660mm width)
- 1st auxiliary piping
- 2nd auxiliary piping
- 3rd auxiliary piping
- 2-Post canopy
- Steel cabin
- Long arm (standard +300mm)
- Steel shoe (300mm)
- Rubber pad for steel shoe
- Slide arm

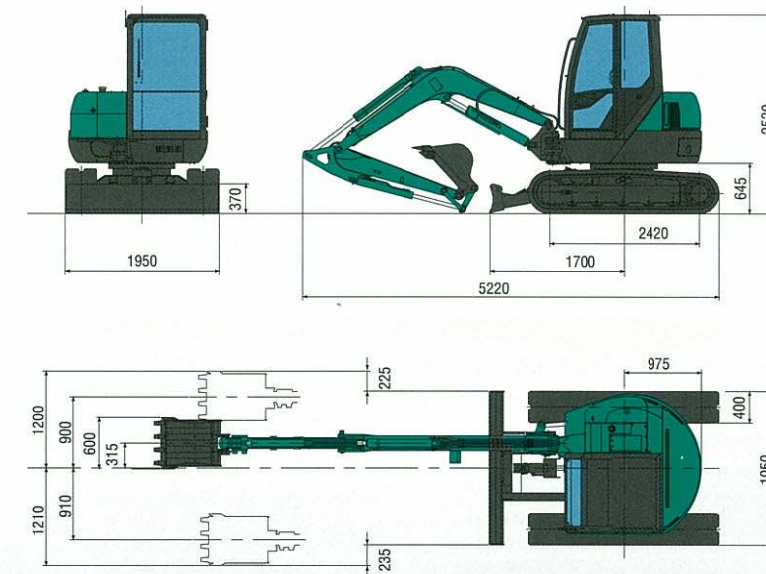


40VX³ Mini Excavator

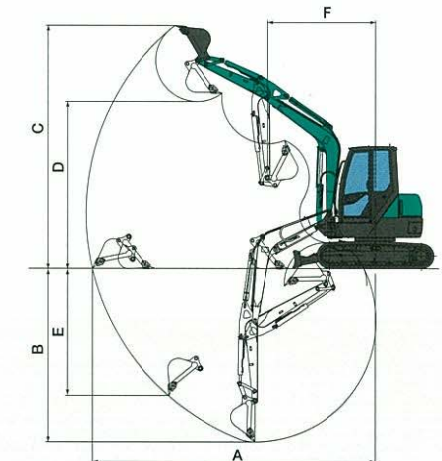
Standard Bucket Capacity : ISO 0.13m³



■ Dimensions (Unit:mm)



■ Working Range (Unit:mm)



	Cabin	4-Post canopy
A Max. digging radius	5820 (6040)	5820 (6040)
B Max. digging depth	3400 (3650)	3400 (3650)
C Max. digging height	5050 (5130)	5310 (5420)
D Max. dumping height	3440 (3530)	3670 (3780)
E Max. vertical digging depth	2585 (2800)	2585 (2800)
F Min. front turning radius	2590 (2595)	2350 (2500)
At right boom swing	2215 (2220)	2000 (2160)

※ () : Figures for long arm

■ 40VX3 Specifications

Performance		Boom swing system	
Bucket capacity	0.13m ³	Type	Boom offset with hydraulic cylinder
Bucket width	600mm	Swing angle (L/R)	90°/50°
Operating weight: Cabin (4-Post)	4535kg (4405kg)	Hydraulic system	
Transportation weight: Cabin (4-Post)	4460kg (4330kg)	Pressure	20.6MPa (210kgf/cm ²), 24.5MPa (250kgf/cm ²)
Swing speed	8.9min ⁻¹	Pump hydraulic flow	60.0L/min×2+43.9L/min
Travel speed (low/high)	3.1/5.1km/h	Dozer blade	
Gradeability	58%(30°)	Size	1950mm×370mm
Ground pressure	25kPa (0.26kgf/cm ²)	Lift above ground / Drop below ground	410mm/360mm
Max bucket digging force	30.4kN (3100kgf)	Max auxiliary flow	
Engine		1st line	104L/min
Model	YANMAR 4TNV88	2nd line	43L/min
Rated output	28.3kW/2400min ⁻¹ (38.5PS/2400 rpm)		
Fuel tank capacity	65L		

■ Options

- Bucket
 - 0.07m³/Digging bucket (400mm width)
 - 0.10m³/Long arm bucket (500mm width)
 - 0.15m³/Loading bucket (650mm width)
- 1st auxiliary piping
- 2nd auxiliary piping
- 3rd auxiliary piping
- 2-Post canopy
- 4-Post canopy
- Steel shoe (400mm)
- Long arm (standard +300mm)
- Rubber pad for steel shoe

