

IHI

Zero Tail Swing Mini Excavator

40NX 45NX

Standard Bucket Capacity: ISO 0.13m<sup>3</sup> Standard Bucket Capacity: ISO 0.15m<sup>3</sup>



NX

The central graphic features the letters 'NX' in a bold, metallic, three-dimensional font. A glowing, white, ring-like element loops around the letters, creating a sense of motion and modernity. The background is a teal gradient with faint, semi-transparent images of excavator components.

# Crystallizing the highest level of power and performance for the world.

The much-anticipated 40NX and 45NX have joined the IHI small tail swing NX Series lineup. Again, IHI has developed the ultimate Mini Excavator worthy of being called the "world's standard". With the largest engine power in its class, and incredibly smooth operation. Featuring a rugged and stylish form, with greatly improved maintenance. It is the birth of the zero tail swing excavator, with unprecedented levels of power condensed into it.







# The perfect balance of class-leading performance and operational comfort.

## 45NX

Operating weight	4765kg
Bucket capacity	0.15m <sup>3</sup>
Crawler width	1950mm
Tail swing radius	975mm
Max. digging depth	3650mm



## High power worthy of a world standard.

### ●2.2-liter direct-injection engine

Equipped with the latest 2.2-liter direct-injection engine. Performance has been increased with highest-in-its-class maximum 30.2kW (41PS) output, and increased-capacity pump.



### ●Arm speed increased 20%, boom lifting capacity increased 16%

With increased pump capacity and reproduction circuit, the arm speed has been greatly increased. Boom lifting capacity has been boosted 16% by increasing the cylinder bore.

### ●Increased stability

Stability has been improved by increasing the machine weight and widening the crawler span, together with moving the boom foot mount to the rear. Rattling of crawler is eliminated since the sliding portion gap of the front idler was made smaller.



## Smooth operation worthy of a world standard.

### ●Joystick lever

Joysticks are equipped to offer a high degree of operational responsiveness.

### ●Blower type radiator fan

Since hot air from the engine does not circulate under the operator's seat, the operator can use the excavator in comfort.

### ●One-piece molded reclining seat

A single-piece molded seat offering superior durability, as well as optimum contour and firmness to reduce fatigue, has been equipped as standard. The back and lower cushions can be replaced.



## High performance worthy of a world standard.

### ●Smooth operation on a par with hydraulic excavators.

Equipped with a large-sized control valve usually found on 7-ton class

hydraulic excavators. The improved spool provides precise control, substantially increasing smooth operation. By equipping an anti-drift valve as standard, the descent of attachments has been reduced.

### ●Digging area that's a class above (45NX)

The maximum digging depth of the 45NX is 3650mm. Maximum digging radius is 6000mm. By taking advantage of its deeper digging capability and longer reach, it can be effectively used in stream improvement works. Lifting capacity has also been increased thanks to the use of a heavier counterweight.





**40NX**

Operating weight	4465kg
Bucket capacity	0.13m <sup>3</sup>
Crawler width	1950mm
Tail swing radius	975mm
Max. digging depth	3400mm



**Assured safety and  
easy maintenance.**

## Protective features worthy of a world standard.

### ●Increased durability

Featuring an enlarged boom foot and swing bracket pin, as well as a thicker boss section. The drive sprocket width, core metal width and rubber thickness have also been increased. A stiff and derail-resistant metal has been incorporated into the crawler. Wear and tear of the inside surface of the rubber crawler has been reduced by re-shaping the space between the rollers of the lower frame.



Also, a 370-mm height, large-sized bottom plate has been incorporated, while the arm features a tough square tubular construction. 2.3mm thick pressed sheet metal has been used for the engine cover and platform.

Hoses for the arm and bucket are stowed. The boom cylinder hoses are positioned in the back, and segmented for easy replacement.



## Safety worthy of a world standard.

### ●Swing parking brake

Eliminates swing drift on inclined surfaces, and makes a swing lock mechanism unnecessary during transport.

### ●TOPS canopy (optional depending on sales region)

A 4-post canopy compliant with TOPS of the CE Standard can be installed.

### ●Cabin/canopy (optional depending on sales region)

The same sturdy opening-door type as our standard J series. Operator's cabin offers TOPS-compliant construction with



plenty of space. Air conditioner, defroster, and lamp are available optionally.

## Environmental friendliness worthy of a world standard.

### ●Engine compliant with Japanese and American exhaust regulations

Meets regulations imposed by the Environmental Protection Agency (EPA) of the U.S.A. in 1999.

### ●Low noise design

Low noise has been achieved through advances in engine cover, sound insulation, and radiator fan design.

## Easy maintenance worthy of a world standard.

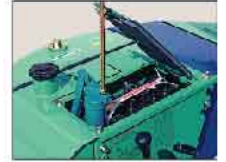
### ●Easy maintenance

Checking and maintenance of engine oil, oil filter, fuel filter and air filter have been made easier thanks to the lower-positioned counterweight and the fully opening engine cover. Also easier to check and replace the battery since it has been positioned next to the fuel tank. A large fuel filter and water drain filter have been equipped as standard, and a

large air filter is also standard equipment. For use in extremely dusty locations, a double-element filter (optional) can be installed. Spare valve is equipped standard. Operational ease of hydraulic breaker and grapple fork have been improved.



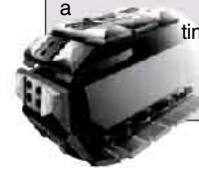
Engine cover



Battery cover

### Rubber padded crawler (optional)

In addition to being derail-resistant, it is also more economical since in cases of damage or wear and tear, they can be replaced individually, one at a



time. Looks much smoother also.

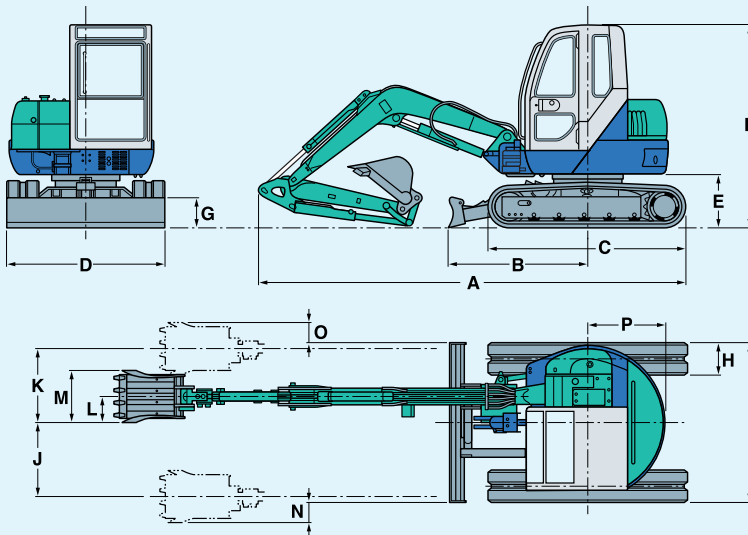


# 40NX



## ■Dimensions

Figure is in proportion to 40NX.

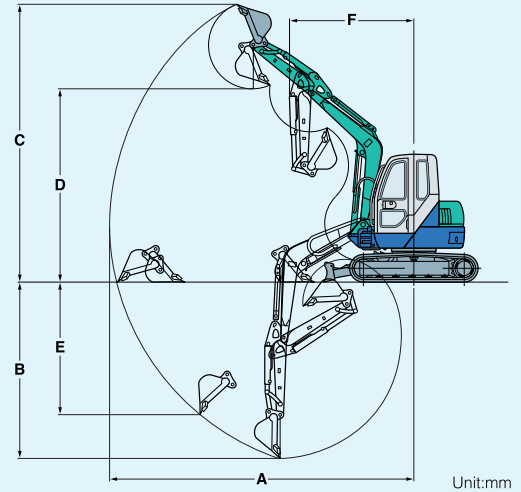


Unit:mm

	A	B	C	D	E	F	G	H	I	J	K	L	M	N	O	P
40NX	5220	1700	2420	1950	645	2460	370	400	1950	910	900	315	600	235	225	R975
45NX	5290	1700	2420	1950	645	2460	370	400	1950	910	900	315	650	260	250	R975

## ■Working Range

Figure is in proportion to 40NX.



Unit:mm

	40NX	45NX
A Maximum digging radius	5820	6000
B Maximum digging depth	3400	3650
C Maximum digging height	5310	5320
D Maximum dumping height	3670	3700
E Maximum vertical digging depth	2585	2750
F Maximum front turning radius	2350	2350
At right boom swing	2000	2000

## ■Specifications

	40NX		45NX	
<b>●Performance</b>				
STD.Bucket capacity(ISO)	0.13m <sup>3</sup>	4.6ft <sup>3</sup>	0.15m <sup>3</sup>	5.3ft <sup>3</sup>
STD.bucket width	600mm	23.6"	650mm	25.6"
Operating weight(Cabin)	4465kg	9843lbs	4765kg	10505lbs
Machine weight (Cabin)	4390kg	9678lbs	4690kg	10340lbs
Swing speed	8.5min <sup>-1</sup> (8.5rpm)	8.5rpm	8.5min <sup>-1</sup> (8.5rpm)	8.5rpm
Travel speed(Low)	3.0km/h	1.9mph	3.0km/h	1.9mph
Travel speed(High)	4.9km/h	3.0mph	4.9km/h	3.0mph
Gradeability	30°		30°	
Ground pressure	26kPa	3.8psi	28kPa	4.1psi
Max. bucket digging force	30.4N	6835lbs	30.4N	6835lbs
<b>●Engine</b>				
Model	ISUZU 4LE2		ISUZU 4LE2	
Rated output	30.2kW(41PS)/2300rpm	40.5HP/2300rpm	30.2kW(41PS)/2300rpm	40.5HP/2300rpm
Fuel tank capacity	65L	17.2gal	65L	17.2gal
<b>●Boom swing system</b>				
Type; Boom offset	Boom offset with hydraulic cylinder		Boom offset with hydraulic cylinder	
Swing angle(L/R)	50°/90°		50°/90°	
<b>●Hydraulic system</b>				
Pressure	20.6MPa	2990psi	20.6MPa	2990psi
Pump hydraulic flow	57.5L/min x 2+42.1L/min	15.2gpm x 2+11.1gpm	57.5L/min x 2+42.1L/min	15.2gpm x 2+11.1gpm
<b>●Dozer blade</b>				
Size(Width x Height)	1950mm x 370mm	76.8" x 14.6"	1950mm x 370mm	76.8" x 14.6"
Lift above ground	410mm	16.1"	410mm	16.1"
Drop below ground	360mm	14.2"	360mm	14.2"

	40NX		45NX	
<b>■Options</b>				
Loading bucket capacity/width(ISO)	0.15m <sup>3</sup> /650mm	5.3ft <sup>3</sup> /25.6"	—	—
Digging bucket capacity/width(ISO)	0.07m <sup>3</sup> /400mm 0.10m <sup>3</sup> /500mm	2.5ft <sup>3</sup> /15.7" 3.5ft <sup>3</sup> /19.7"	0.07m <sup>3</sup> /400mm 0.10m <sup>3</sup> /500mm	2.5ft <sup>3</sup> /15.7" 3.5ft <sup>3</sup> /19.7"
Long arm STD. bucket capacity/width(ISO)	0.10m <sup>3</sup> /500mm	3.5ft <sup>3</sup> /19.7"	0.10m <sup>3</sup> /500mm	3.5ft <sup>3</sup> /19.7"
Rein forced bucket capacity/width(ISO)	0.13m <sup>3</sup> /600mm	4.6ft <sup>3</sup> /23.6"	0.15m <sup>3</sup> /650mm	5.3ft <sup>3</sup> /25.6"
Steel shoe width	400mm	15.7"	400mm	15.7"
Rubber padded crawler(400mm width)		○		○
Long arm length	STD+250mm	STD+9.8"	STD+250mm	STD+9.8"
Steel cab		○		○
TOPS canopy		○		○
Air conditioner		○		○
Power port/Auxiliary hydraulic flow	70L/min	18.5gpm	70L/min	18.5gpm
Double-element filter		○		○

**IHI** IHI Construction Machinery Limited  
Kishi-Tokai Bldg., 8-4-4, Nishikamata, Ota-ku, Tokyo, 144-8577, Japan  
Phone:81-3-5714-8844 Fax:81-3-5714-8840,8843

Photographs appearing in the catalog were taken for publication and may differ in some cases from actual objects. Specifications are subject to change without notice due to technical improvements or modifications.

Distributed by

