

**45V**  
*Four*



**55V**  
*Four*



**60V**  
*Four*



**IHI**  
Realize your dreams

Short Tail Swing Mini Excavators  
45V4-F / 55V4-F / 60V4-F

**45V**  
*Four*

**55V**  
*Four*

**60V**  
*Four*



- Please read carefully instruction manuals before operating machines, and use them correctly and safely.
- Please perform periodically check and maintenance for machines to prevent from troubles and accidents.
- Photographs may differ in some cases from actual objects. Specifications are subject to change without notice due to technical improvements or modifications.

Distributed by:

**IHI**  
Realize your dreams

**IHI Construction Machinery Limited**

**Sales Division**

3174 Showa-machi, Kanazawa-ku, Yokohama, Kanagawa 236-8611, Japan  
Tel: +81-45-276-1249 Fax: +81-45-276-2583  
<http://www.ihikenki.co.jp>

**IHI Construction Machinery Limited**



**THE ALL NEW V4-F  
THAT BRINGS IN CUSTOMER NEEDS**

**C**  
*Comfortable*



45V4-F

**S**  
*Safety*



60V4-F



55V4-F

**E**  
*Economy*

**H**  
*High Performance*

**FOUR** EVOLUTION



# Safety EVOLUTION

## WORLD-STANDARD SAFETY

- ROPS/FOPS Compliance Operator Room
- ROPS/FOPS Canopy (Standard)  
ROPS Cabin (Option) • FOPS Cabin (Option)

## ERROR-PREVENTION

- All-lever lock structure
- Neutral engine-start structure
- Auto-parking brake in swing & traction motors



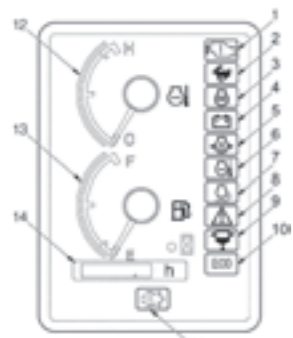
All operations are blocked when the lever is raised.

# Comfortable EVOLUTION

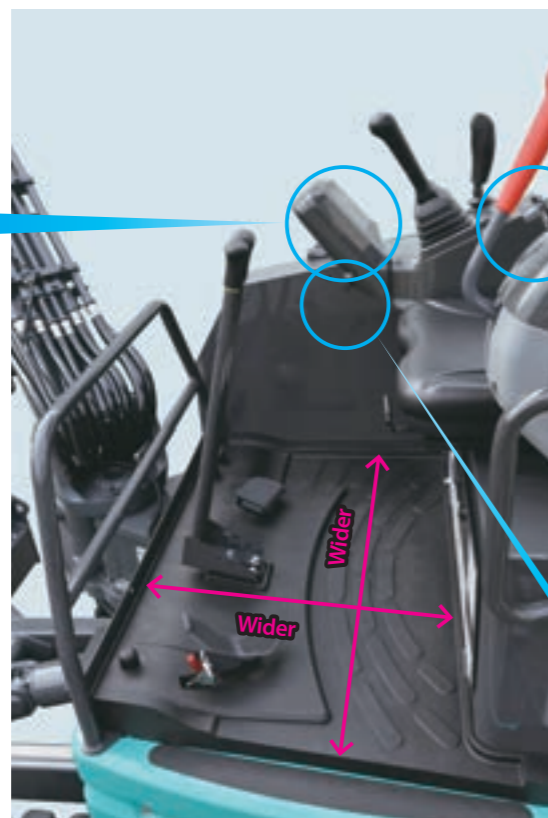
## COMFORTABLE OPERATOR ROOM AND EASY MANIPULATION



- Easily visible monitor

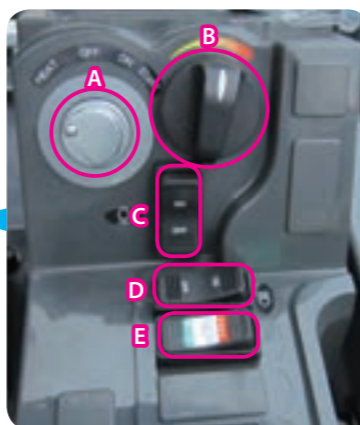


- |   |                                     |
|---|-------------------------------------|
| 1 Engine warning indicator              | 8 Control lock warning indicator    |
| 2 Travel speed indicator                | 9 Water-separator warning indicator |
| 3 Glow indicator                        | 10 ECO mode indicator               |
| 4 Battery charge warning indicator      | 11 DPF warning indicator            |
| 5 Engine oil pressure warning indicator | 12 Water temperature gauge          |
| 6 Water temperature warning indicator   | 13 Fuel gauge                       |
| 7 Auto idle indicator                   | 14 Hour meter                       |



- Legroom enlarged by 20%
- Cabin room enlarged by 25%

\*Comparison with our former models



- Centralized switches (Right console box)

- A Engine starter switch
- B Throttle dial
- C Auto Idle selector switch
- D Light switch
- E Work mode selector switch



- Spare power port (12V 10A)



ROPS/FOPS Canopy (Std.)



ROPS Cabin (Opt.)

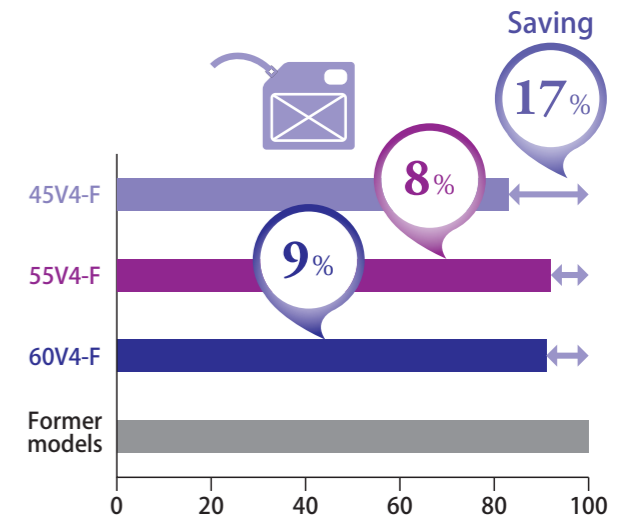
# Economy EVOLUTION

## LOW FUEL CONSUMPTION

- 45V4-F **Max. 17%**
- 55V4-F **Max. 8%**
- 60V4-F **Max. 9%**

Fuel saving

\*Comparison with our former models (in use of Auto Idle & Eco Mode)



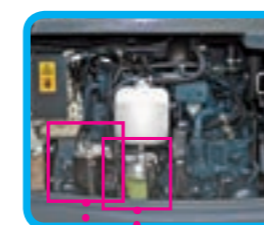
## EASY MAINTENANCE

- Large covers for easier access



Wide Open

- Engine room



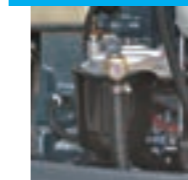
- Right hand cover

- Trouble reduction by 3 measures

① Resin-made fuel tank



② Large fuel filter



③ Water-separator



\* The warning indicator turns on if water is collected up to the specified level.

Hydraulic tank with Air breather

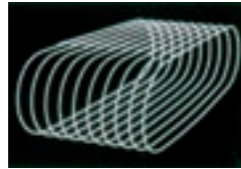




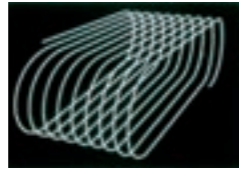
## DURABLE AND REPAIRABLE

### Warranted and durable rubber shoes "Tough Track"

The rubber shoe is warranted for either 2 years or 1500 hours against steel cord cut-off. (Terms and conditions are based on our warranty standards.)



Overlap structure



Tough Track spiral structure

	Conventional	Tough Track
Core metal shape		
Core metal edge FEM analysis		

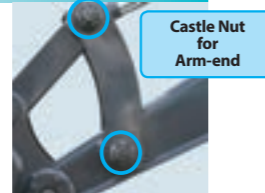
### Easily adjustable pins and longer life



Single-structured Swing Pin



Boom and Arm joints



Arm-end

### Durable structure and easy care



Bucket rattle adjuster

## SELECTABLE WORKING MODES

Workable slowly and economically

Workable speedily and poerfully

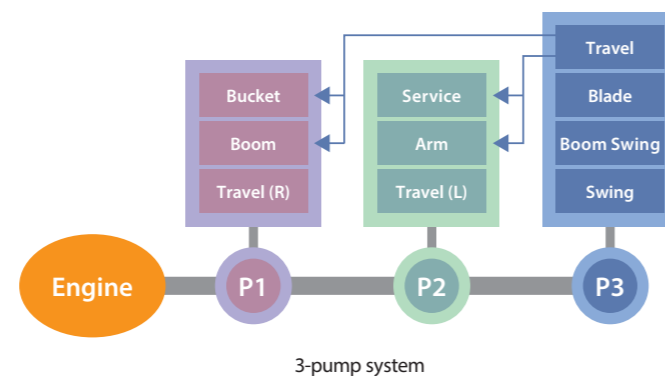
Selectable

ECO Mode  
(Fuel saving)

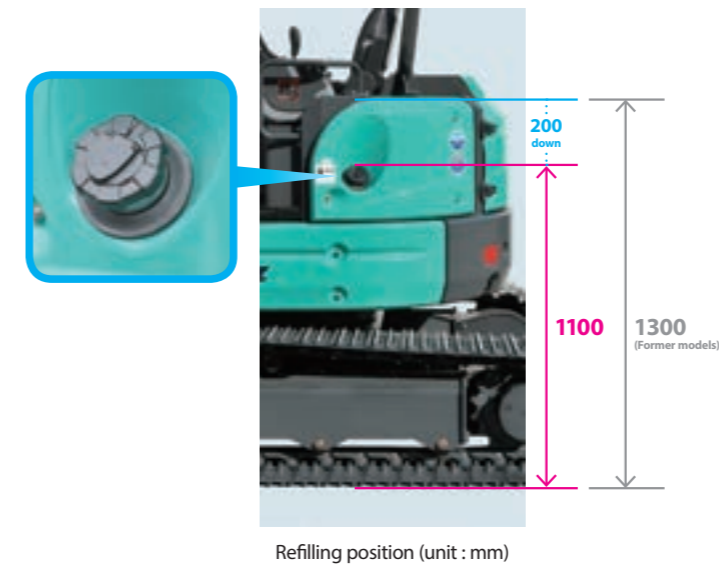
Vmax Mode  
(High speed)

## HIGH POWER DIGGING AND QUICK RESPONSE

- Bucket digging force increased by 10% (\*Comparison with our former models)
- Quickly responsive 3-pump system



## EASY FUEL REFILLING



## AUTO-SHIFT TRACTION

- Automatically shifted travel function



Auto high speed mode



Low speed mode selector switch

## EASY SKIMMING WORK

- Close distance between Bucket Tooth and Dozer Blade



45V4-F



55V4-F



60V4-F

## EXCELLENT STABILITY

- Enlarged stability by counterweight design



45V4-F



55V4-F



60V4-F





# STEEL CABIN

## WIDE OPEN SPACES



●Fully openable windows



●High Ceiling



●Upper window



●Retractable



Right side view



Frontal view



Left side view



Right side windows



Inside view



left side door

# High Performance EVOLUTION

## EQUIPMENT / OPTIONS

Description	Standard equipment	Optional equipment		Remarks
Operator room	ROPS/FOPS Canopy (4-Post)	ROPS Cabin <sup>(A)</sup>	2-Post Canopy <sup>(B)</sup> (※)	(※) No ROPS compatibility
		FOPS Guard		
		Heater or Air-conditioner		
Seat	Suspension Seat	High back suspension seat <sup>(C)</sup>	Fabric suspension seat	
Control lever	with propotional switch <sup>(D)</sup>	w/o propotional switch (※)		(※) combination with <sup>(G)</sup>
Lever pattern	Type A (ISO standard)	AF changer	ABCD changer <sup>(E)</sup>	
Control pedal	Boom swing pedal	Traction foot pedals <sup>(F)</sup>	1st aux. hydraulic control pedal <sup>(G)</sup>	
Crawler	Rubber shoes	Steel shoes	Rubber Pads <sup>(H)</sup>	
Arm	Standard arm	Long arm (+250mm)		
Buucket	Standard bucket	Digging buckets (※)	Loading buckets (※)	(※) Various sizes
Auxiliary hydraulics	1st auxiliary hydraulic piping	2nd auxiliary hydraulic piping	3rd auxiliary hydraulic piping	

Other options	Remarks
● Dust preventive net	For Radiator
● Rear-view mirror	For combination with Steel Cabin
● Additional counterweight <sup>(I)</sup>	45V4-F only
● Overload relief valve	
● Motion alarm	

Ⓐ Steel Cabin (ROPS)



Heater



Ⓑ 2-Post Canopy



Ⓒ High back seat



Ⓓ Control lever with proportional switch



Ⓔ Lever pattern selector



Ⓕ Traction foot pedals



Ⓖ Aux. hydraulic control pedal (1st)



1 Flow hold switch  
2 Flow mode selector switch



Ⓖ Rubber Pads



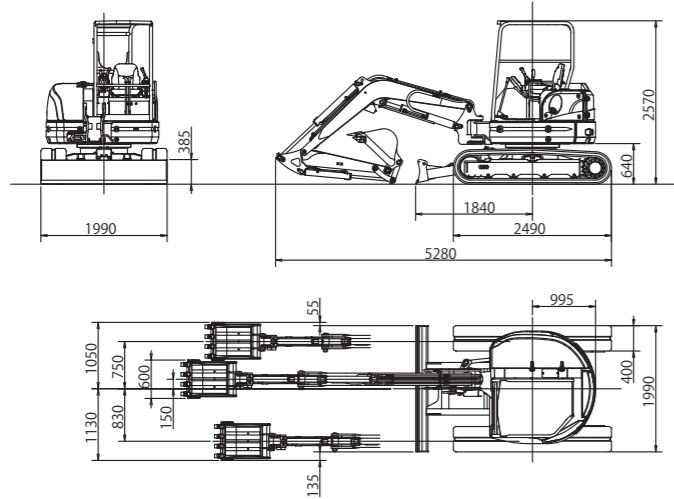
Ⓘ Additional counterweight of 45V4-F



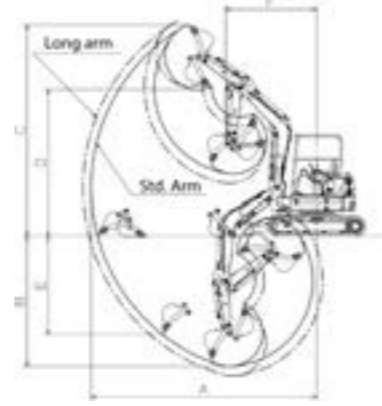


## 45V4-F

### 45V4-F Dimensions (unit : mm)



### 45V4-F Working Range (unit : mm)



		Std. Arm	Long arm
A	Max. digging radius	5760	5970
B	Max. digging depth	3340	3590
C	Max. digging height	5380	5470
D	Max. dumping height	3720	3820
E	Max. vertical digging depth	2520	2690
F	Min. front turning radius	2320	2420
	At right boom swing	2010	2100

### 45V4-F Specifications

#### Performance

Bucket capacity	0.14m <sup>3</sup>
Bucket width	600mm
Operating weight : Canopy (Cabin)	4705 (4855) kg
Transportation weight : Canopy (Cabin)	4630 (4780) kg
Swing speed	9.3min <sup>-1</sup>
Travel speed (low/high)	2.9/4.6km/h
Gradeability	58% (30°)
Ground pressure	27kPa (0.28kgf/cm <sup>2</sup> )
Max bucket digging force	31.0kN (3160kgf)

#### Engine

Model	KUBOTA V2403-CR
Rated output	32.4kW (44.1PS) /2400min <sup>-1</sup>
Fuel tank capacity	66L

#### Boom swing system

Type	Boom offset with hydraulic cylinder
Swing angle (L/R)	80° / 50°

#### Hydraulic system

Pressure	24.5MPa (250kgf/cm <sup>2</sup> ) 20.6MPa (210kgf/cm <sup>2</sup> )
Pump hydraulic flow	60.0 L/min×2+ 44.2 L/min

#### Dozer blade

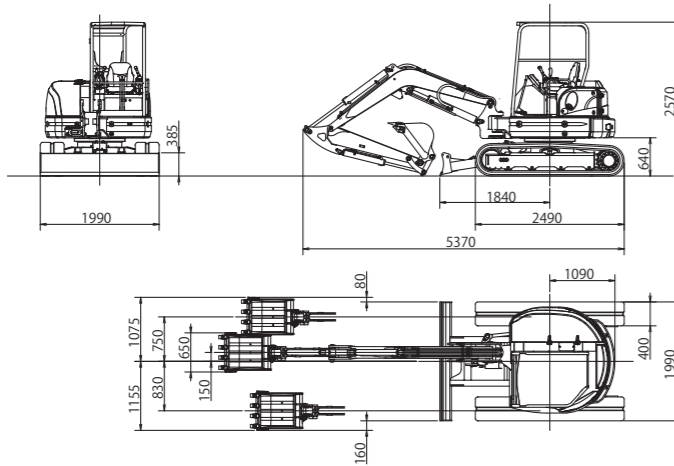
Size	1990×385mm
Lift above ground / Drop below ground	460mm / 430 mm

#### Max auxiliary flow

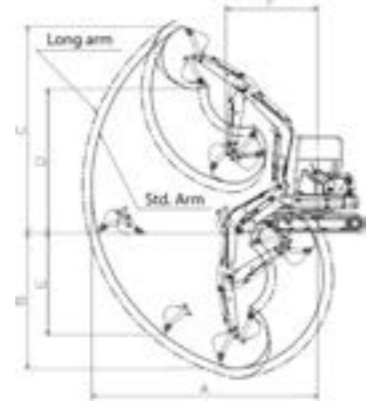
1st line	60L/min
2nd line	44L/min

## 55V4-F

### 55V4-F Dimensions (unit : mm)



### 55V4-F Working Range (unit : mm)



		Std. Arm	Long arm
A	Max. digging radius	5970	6200
B	Max. digging depth	3590	3830
C	Max. digging height	5470	5610
D	Max. dumping height	3820	3960
E	Max. vertical digging depth	2690	2930
F	Min. front turning radius	2420	2460
	At right boom swing	2100	2130

### 55V4-F Specifications

#### Performance

Bucket capacity	0.16m <sup>3</sup>
Bucket width	650mm
Operating weight : Canopy (Cabin)	5065 (5215) kg
Transportation weight : Canopy (Cabin)	4990 (5140) kg
Swing speed	9.3min <sup>-1</sup>
Travel speed (low/high)	2.9/4.6km/h
Gradeability	58% (30°)
Ground pressure	29kPa (0.30kgf/cm <sup>2</sup> )
Max bucket digging force	31.0kN (3160kgf)

#### Engine

Model	KUBOTA V2403-CR
Rated output	32.4kW (44.1PS) /2400min <sup>-1</sup>
Fuel tank capacity	66L

#### Boom swing system

Type	Boom offset with hydraulic cylinder
Swing angle (L/R)	80° / 50°

#### Hydraulic system

Pressure	24.5MPa (250kgf/cm <sup>2</sup> ) 20.6MPa (210kgf/cm <sup>2</sup> )
Pump hydraulic flow	60.0 L/min×2+ 44.2 L/min

#### Dozer blade

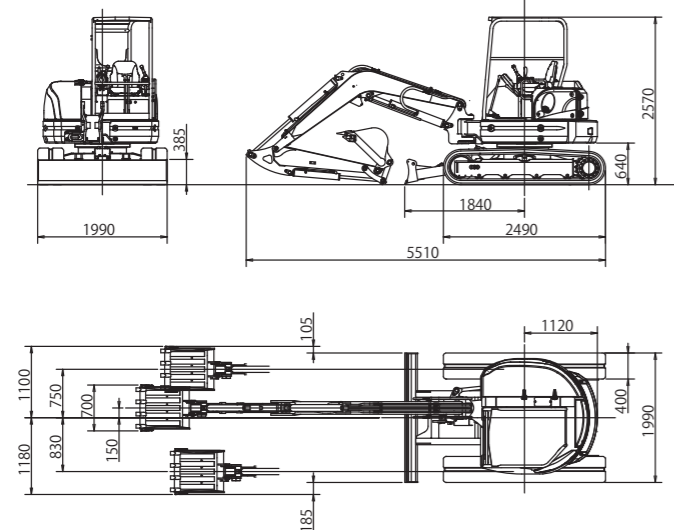
Size	1990×385mm
Lift above ground / Drop below ground	460mm / 430 mm

#### Max auxiliary flow

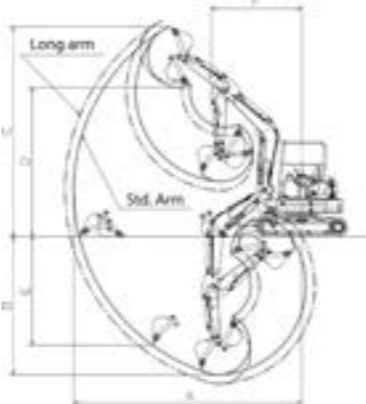
1st line	60L/min
2nd line	44L/min

## 60V4-F

### 60V4-F Dimensions (unit : mm)



### 60V4-F Working Range (unit : mm)



		Std. Arm	Long arm
A	Max. digging radius	6200	6440
B	Max. digging depth	3800	4040
C	Max. digging height	5710	5860
D	Max. dumping height	4050	4200
E	Max. vertical digging depth	2980	3220
F	Min. front turning radius	2450	2470
	At right boom swing	2120	2130

### 60V4-F Specifications

#### Performance

Bucket capacity	0.18m <sup>3</sup>
Bucket width	700mm
Operating weight : Canopy (Cabin)	5425 (5575) kg
Transportation weight : Canopy (Cabin)	5350 (5500) kg
Swing speed	9.3min <sup>-1</sup>
Travel speed (low/high)	2.9/4.6km/h
Gradeability	58% (30°)
Ground pressure	31kPa (0.32kgf/cm <sup>2</sup> )
Max bucket digging force	41.2kN (4200kgf)

#### Engine

Model	KUBOTA V2403-CR
Rated output	32.4kW (44.1PS) /2400min <sup>-1</sup>
Fuel tank capacity	66L

#### Boom swing system

Type	Boom offset with hydraulic cylinder
Swing angle (L/R)	80° / 50°

#### Hydraulic system

Pressure	24.5MPa (250kgf/cm <sup>2</sup> ) 20.6MPa (210kgf/cm <sup>2</sup> )
Pump hydraulic flow	60.0 L/min×2+ 44.2 L/min

#### Dozer blade

Size	1990×385mm
Lift above ground / Drop below ground	460mm / 430 mm

#### Max auxiliary flow

1st line	60L/min
2nd line	44L/min