

**The energy-saving 5-ton class machines incorporate the advanced hydraulic system.**

 Assurance that IHI excavators are environment-conscious.



\* Cabin as standard equipment

**Operability**

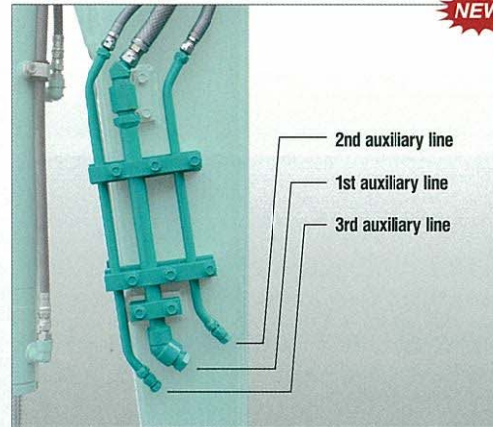
**Newly designed operator's space**



The new cockpit ensures safe and comfortable operations.  
\* See Page 26 for details.

**NEW**

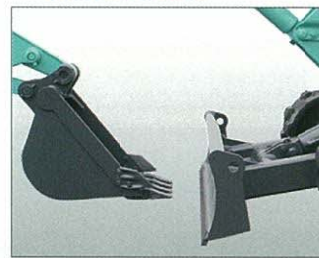
**Additional auxiliary hydraulic lines (optional)**



In addition to the conventional auxiliary hydraulic line, two more lines are now available for versatile hydraulic attachments, enabling you to handle a wider range of hydraulic attachments.  
\* See Page 27 for details.

**NEW**

**Close distance between bucket and blade**



Close proximity of the bucket and dozer blade makes skimming and excavation work easier.

**Large-size blade makes ground-leveling work easier**

**Easy Maintenance**

**Segmented blade cylinder hose design makes replacement easier**



**Segmented boom cylinder hose design makes replacement easier**

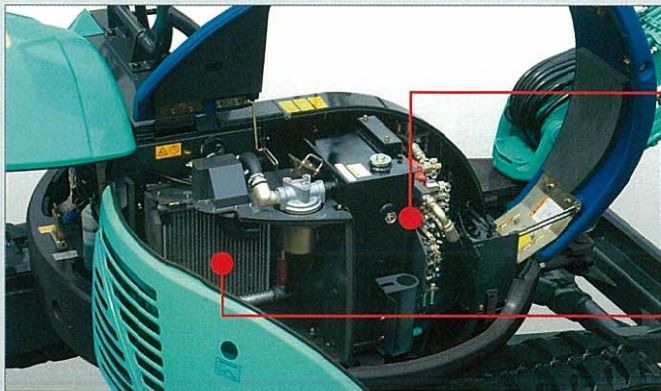


**Angled crawler frame.**



The angled crawler frame not only prevents dirt build-up but also simplifies cleaning and maintenance.

**Wide, fully opening engine-cover enables ease of maintenance**



- Easy accessible tool box
- Filters are conveniently located, making it easy to replace them
- Sintered bushes create longer interval for greasing



Control valve and Battery



Radiator and Hydraulic fluid filter

**Durability**



**Warranted, highly durable rubber shoe comes as standard equipment**

Like no others in the industry, the rubber shoe is warranted for either 2 years or 1,500 hours against steel cord cut-off.  
\* See Page 27 for details.

**Highly durable blades made even stronger**



\* The details look at 27 pages.

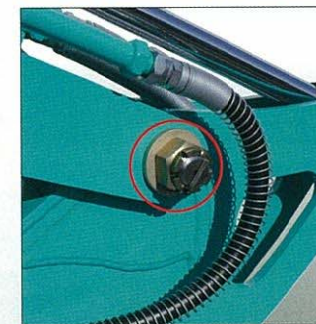
**Embedded boom center working lights**



**Bucket cylinder hose built inside the arm**



**New castle-nut design reduces horizontal tolerance**



The arm-end and boom-arm joint are fixed with castle nuts. The reduction of horizontal tolerance is achieved.

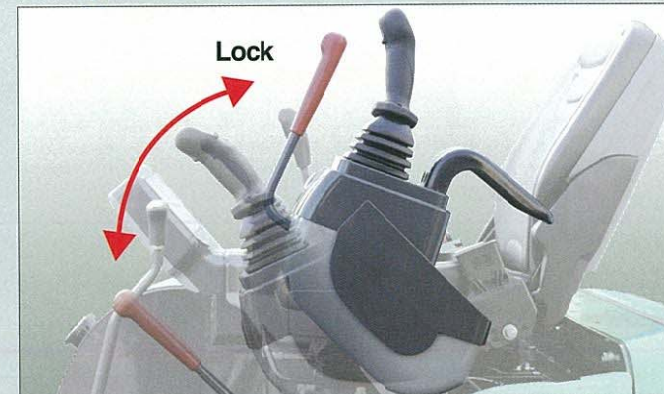
\* See Page 27 for details.



- Durable, anti-corrosive aluminum radiator
- Rugged steel-pressed engine cover

**Safety**

**Gate lock system as standard equipment is designed to block up all operations**



The master gate lock system enables you to block up all functions such as boom, arm, bucket, swing, boom swing, travel and blade.

**ROPS/TOPS cabin comes as standard equipment**



**Neutral engine start system.**  
The engine can start when the gate-lock is pulled up to avoid mis-operations.

**Swing motor with auto parking brake**

Featuring swing motor with an auto parking brake, the machine can be swung and locked at any position within a 360° circumference.

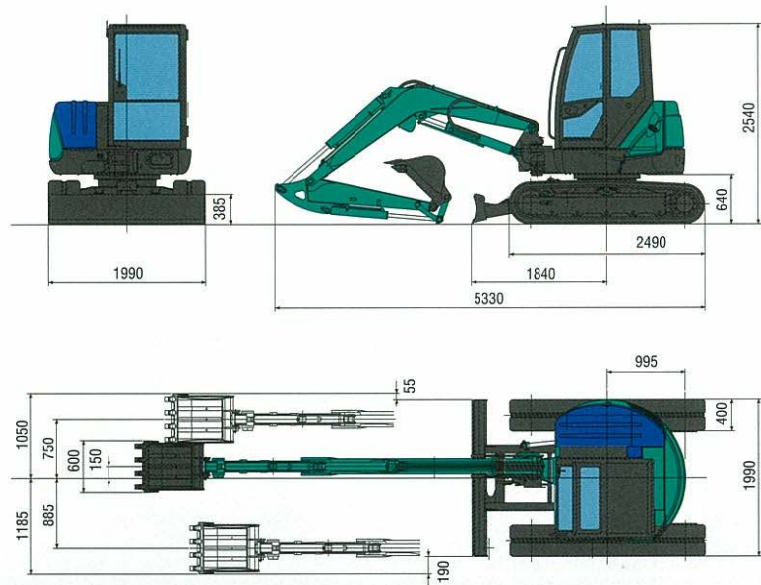


# 50VX<sup>3</sup> Mini Excavator

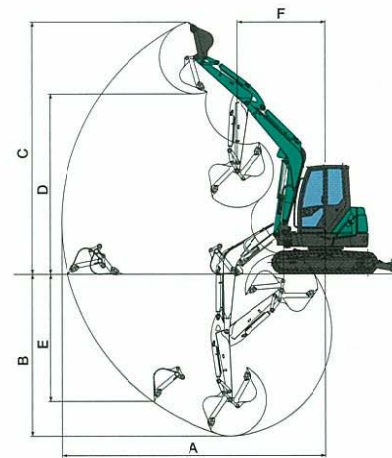
Standard Bucket Capacity : ISO 0.14m<sup>3</sup>



### ■ Dimensions (Unit:mm)



### ■ Working Range (Unit:mm)



	Cabin or 4-Post	2-Post canopy
A Max. digging radius	5950 (6260)	5950 (6260)
B Max. digging depth	3600 (3900)	3600 (3900)
C Max. digging height	5680 (5940)	5680 (5940)
D Max. dumping height	4000 (4250)	4000 (4250)
E Max. vertical digging depth	2800 (3220)	2800 (3220)
F Min. front turning radius	2240 (2350)	2240 (2350)
At right boom swing	1810 (1930)	1810 (1930)

※ ( ) : Figures for long arm

### ■ 50VX3 Specifications

Performance		Boom swing system	
Bucket capacity	0.14m <sup>3</sup>	Type	Boom offset with hydraulic cylinder
Bucket width	600mm	Swing angle (L/R)	87°/50°
Operating weight: Cabin (4-Post)	4885kg (4725kg)	<b>Hydraulic system</b>	
Transportation weight: Cabin (4-Post)	4810kg (4650kg)	Pressure	24.5MPa (250kgf/cm <sup>2</sup> )
Swing speed	9.0min <sup>-1</sup>	Pump hydraulic flow	124L/min
Travel speed (low/high)	2.6/4.8km/h	<b>Dozer blade</b>	
Gradeability	58% (30°)	Size	1990mm×385mm
Ground pressure	27kPa (0.28kgf/cm <sup>2</sup> )	Lift above ground / Drop below ground	420mm/430mm
Max bucket digging force	35.0kN (3570kgf)	<b>Max auxiliary flow</b>	
<b>Engine</b>		1st line	65L/min
Model	YANMAR 4TNV88	2nd line	36L/min
Rated output	27.3kW/2300min <sup>-1</sup> (37.1PS/2300 rpm)		
Fuel tank capacity	65L		

### ■ Options

- |  |  |   |
|--|--|---|
| <p><b>Bucket</b></p> <ul style="list-style-type: none"> <li>• 0.08m<sup>3</sup>/Digging bucket (400mm width)</li> <li>• 0.11m<sup>3</sup>/Long arm bucket (500mm width)</li> <li>• 0.16m<sup>3</sup>/Loading bucket (650mm width)</li> </ul> | <ul style="list-style-type: none"> <li>• 1st auxiliary piping</li> <li>• 2nd auxiliary piping</li> <li>• 3rd auxiliary piping</li> <li>• 2-Post canopy</li> <li>• 4-Post canopy</li> <li>• Additional counterweight (290kg)</li> <li>• Steel shoe (400mm)</li> </ul> | <ul style="list-style-type: none"> <li>• Vertical exhaust tail pipe</li> <li>• Long arm (standard +300mm)</li> <li>• Steel cabin</li> <li>• Rubber pad for steel shoe</li> <li>• Air conditioner</li> <li>• Radiator front grille</li> <li>• Automatic decelerator</li> </ul> |
|--|--|---|

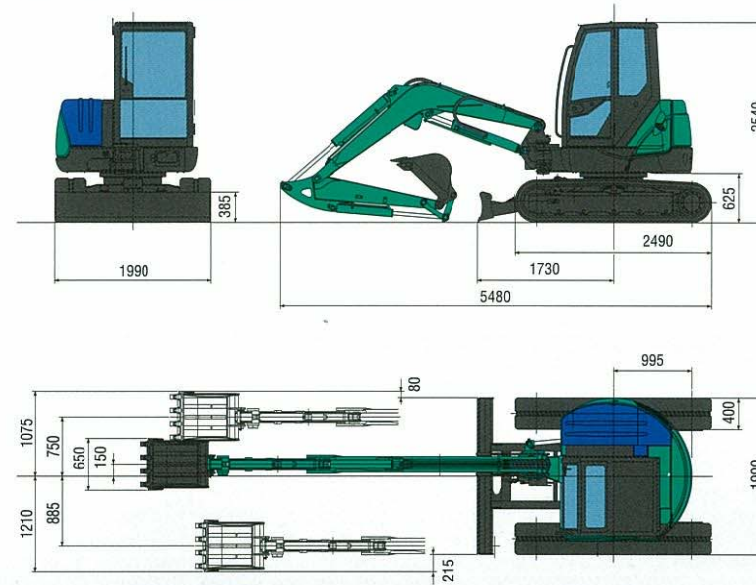


# 55VX<sup>3</sup> Mini Excavator

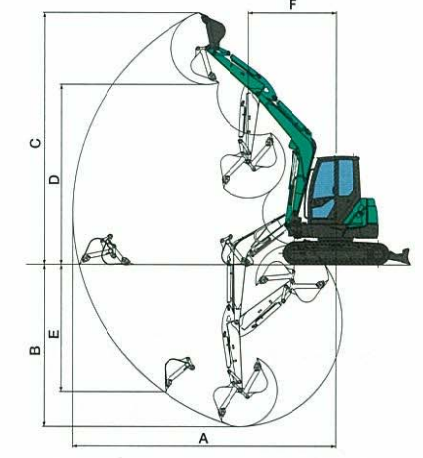
Standard Bucket Capacity : ISO 0.16m<sup>3</sup>



### ■ Dimensions (Unit:mm)



### ■ Working Range (Unit:mm)



	Cabin or 4-Post	2-Post canopy
A Max. digging radius	6170 (6470)	6170 (6470)
B Max. digging depth	3800 (4100)	3800 (4100)
C Max. digging height	5900 (6140)	5900 (6140)
D Max. dumping height	4220 (4460)	4220 (4460)
E Max. vertical digging depth	2970 (3370)	2970 (3370)
F Min. front turning radius	2270 (2370)	2270 (2370)
At right boom swing	1850 (1940)	1850 (1940)

※ ( ) : Figures for long arm

### ■ 55VX3 Specifications

Performance		Boom swing system	
Bucket capacity	0.16m <sup>3</sup>	Type	Boom offset with hydraulic cylinder
Bucket width	650mm	Swing angle (L/R)	87°/50°
Operating weight: Cabin (4-Post)	5085kg (4925kg)	<b>Hydraulic system</b>	
Transportation weight: Cabin (4-Post)	5010kg (4850kg)	Pressure	24.5MPa (250kgf/cm <sup>2</sup> )
Swing speed	9.0min <sup>-1</sup>	Pump hydraulic flow	124L/min
Travel speed (low/high)	2.6/4.8km/h	<b>Dozer blade</b>	
Gradeability	58% (30°)	Size	1990mm×385mm
Ground pressure	28kPa (0.29kgf/cm <sup>2</sup> )	Lift above ground / Drop below ground	405mm/375mm
Max bucket digging force	40.0kN (4060kgf)	<b>Max auxiliary flow</b>	
<b>Engine</b>		1st line	65L/min
Model	YANMAR 4TNV88	2nd line	36L/min
Rated output	27.3kW/2300min <sup>-1</sup> (37.1PS/2300 rpm)		
Fuel tank capacity	65L		

### ■ Options

- |  |  |  |
|--|--|--|
| <p><b>Bucket</b></p> <ul style="list-style-type: none"> <li>• 0.08m<sup>3</sup>/Digging bucket (400mm width)</li> <li>• 0.11m<sup>3</sup>/Digging bucket (500mm width)</li> <li>• 0.14m<sup>3</sup>/Long arm bucket (600mm width)</li> <li>• 0.18m<sup>3</sup>/Loading bucket (700mm width)</li> </ul> | <ul style="list-style-type: none"> <li>• 1st auxiliary piping</li> <li>• 2nd auxiliary piping</li> <li>• 3rd auxiliary piping</li> <li>• 2-Post canopy</li> <li>• 4-Post canopy</li> <li>• Additional counterweight (290kg)</li> <li>• Steel shoe (400mm)</li> </ul> | <ul style="list-style-type: none"> <li>• Vertical exhaust tail pipe</li> <li>• Long arm (standard +300mm)</li> <li>• Rubber pad for steel shoe</li> <li>• Air conditioner</li> <li>• Radiator front grille</li> <li>• Automatic decelerator</li> </ul> |
|--|--|--|

