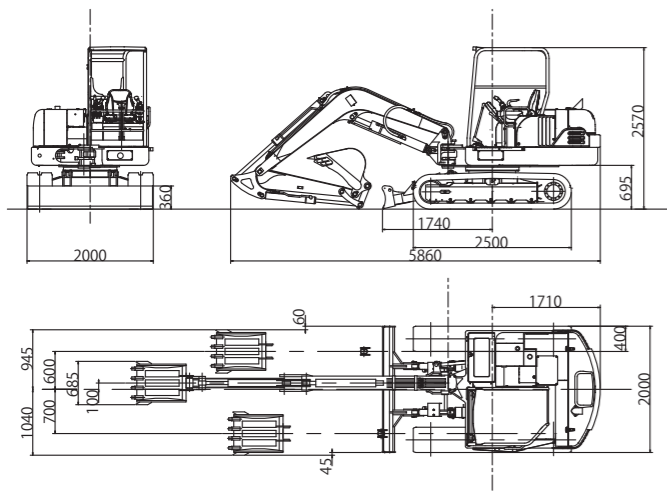
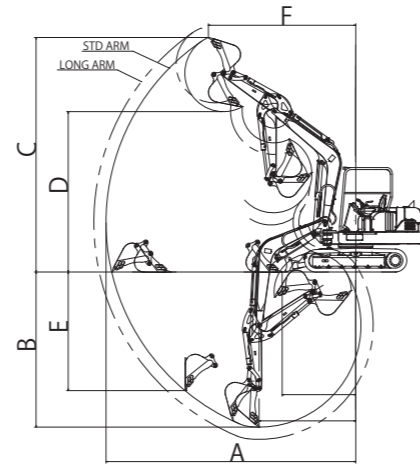


■ Dimensions (unit : mm)



■ Working Range (unit : mm)



		Std. arm	Long. arm
A	Max. digging radius	5980	6290
B	Max. digging depth	3850	4100
C	Max. digging height	5750	5980
D	Max. dumping height	3930	4150
E	Max. vertical digging depth	2950	3270
F	Min. front turning radius	2420	2400
	At right boom swing	1970	2000

■ 55N4 Specifications

◇ Performance

Bucket capacity	0.18m ³
Bucket width	685mm
Operating weight : Canopy (Cabin)	5425kg (5575kg)
Transportation weight : Canopy (Cabin)	5350kg (5500kg)
Swing speed	9.0min ⁻¹
Travel speed (low/high)	2.6 / 4.6 km/h
Gradeability	58% (30°)
Ground pressure	31kPa
Max bucket digging force	36.3kN

◇ Engine

Model	YANMAR 4TNV98C
Rated output	47.6kW(64.7PS)/2400min ⁻¹
Fuel tank capacity	95L

- Please read carefully instruction manuals before operating machines, and use them correctly and safely.
- Please perform periodically check and maintenance for machines to prevent from troubles and accidents.
- Photographs may differ in some cases from actual objects. Specifications are subject to change without notice due to technical improvements or modifications.

◇ Boom swing system

Type	Boom offset with hydraulic cylinder
Swing angle (L/R)	50° / 90°

◇ Hydraulic system

Pressure	20.6MPa
Pump hydraulic flow	64.6 L/min×2 + 46.1 L/min

◇ Dozer blade

Size	2000mm×360mm
Lift above ground / Drop below ground	350mm / 420mm

◇ Max auxiliary flow

1st line	110 L/min
2nd line	46 L/min

IHI
Realize your dreams

Conventional Style Mini Excavator

55N4
Four



Distributed by:

IHI
Realize your dreams

IHI Construction Machinery Limited

Sales Division

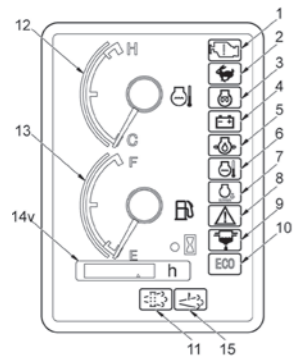
3174 Showa-machi, Kanazawa-ku, Yokohama, Kanagawa 236-8611, Japan
Tel: +81-45-276-1249 Fax: +81-45-276-2583
<http://www.ihi-kenki.co.jp>

IHI Construction Machinery Limited

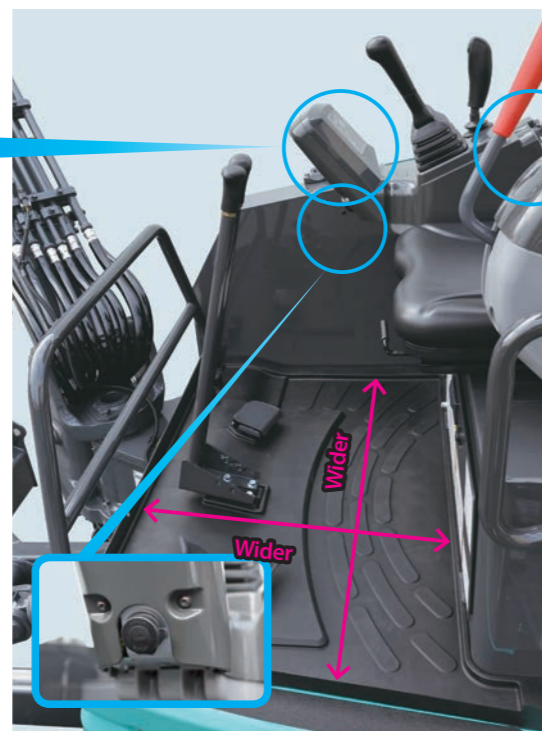
COMFORTABLE OPERATOR ROOM AND EASY OPERATION



● Easily visible monitor



- | | |
|---|--|
| 1 Engine warning indicator | 8 Control lock warning indicator |
| 2 Travel speed indicator | 9 Water-separator warning indicator |
| 3 Glow indicator | 10 ECO mode indicator |
| 4 Battery charge warning indicator | 11 DPF warning indicator |
| 5 Engine oil pressure warning indicator | 12 Water temperature gauge |
| 6 Water temperature warning indicator | 13 Fuel gauge |
| 7 Auto idle indicator (Option) | 14 Hour meter |
| | 15 Exhaust temperature warning indicator |



● Spare power port (12V 10A)

● Legroom enlarged by 20%
● Cabin room enlarged by 25%
*Comparison with our former model



● Centralized switches (Right console box)

- A Engine key switch
- B Throttle dial
- C Auto Idle selector switch (Option)
- D Light switch
- E Work mode selector switch



ROPS/FOPS Cabin (Opt.)



All operations are blocked when the lever is raised.

WORLD-STANDARD SAFETY

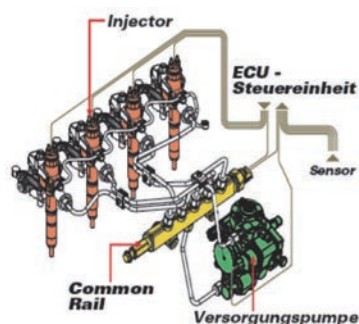
- ROPS/FOPS Canopy (Standard)
- ROPS/FOPS Cabin (Option)

ERROR-PREVENTION

- All-lever lock structure
- Neutral engine-start system
- Auto-parking brake in swing & traction motors

ENGINE EXHAUST REGULATION

- Engine in compliance with the Emission for EC-Stage III B and EPA Tier 4 Final.
- New environmentally friendly 3.3L engine



EXCELLENT STABILITY

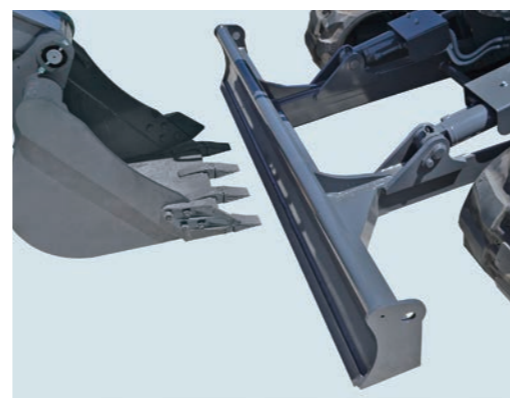
- 150mm extended from former model



Vertical exhaust tailpipe

EASY SKIMMING WORK

- Close distance between Bucket Tooth and Dozer Blade



EASY MAINTENANCE

- Large cover for easier access



Engine room

● Trouble reduction by 2 measures

① Large fuel filter



② Pre-filter



Hydraulic tank with Air breather



● Cooling System

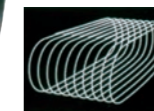
Suction type "side-by-side cooler" cleaning system



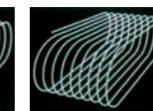
DURABLE AND REPAIRABLE

● Warranted and durable rubber shoes "Tough Track"

The rubber shoe is warranted for either 2 years or 1500 hours against steel cord cut-off. (Terms and conditions are based on our warranty standards.)



Overlap structure



Tough Track spiral structure

	Conventional	Tough Track
Core metal shape		
Core metal edge FEM analysis		

● Durable structure and easy care

Bucket rattle adjuster



OPTIONS

Long arm (std. arm +300mm)	Heater or Air-conditioner	2nd auxiliary hydraulics piping
Steel shoes	Fabric suspension seat	3rd auxiliary hydraulics piping
ROPS Cabin / FOPS Guard		