

IHI

Zero Tail Swing Mini Excavator

80NX
Standard Bucket Capacity: ISO 0.25m³





For the world. IHI delivers big power for urban projects.

Introducing the zero tail swing excavator 80NX.

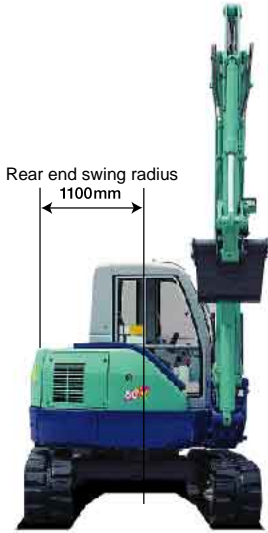
The 80NX has joined IHI's zero tail swing lineup. It incorporates the power of a 0.25m³-class hydraulic shovel into a compact size, with a crawler width of 2200mm and 6040mm length during transport. Naturally it offers the performance that is essential for a variety of projects in urban areas, and meets high standards to assure smooth operation at virtually any construction site.

80NX from IHI. The power and performance of a new world standard.



READY
FOR THE
WORLD

Slim turn with 2200mm tail swing.



Performance of a world standard

Compact size zero tail swing

Offers zero tail swing in an excavator with a 2200mm width, close to the reference model in this class – especially beneficial when working in tight spaces. During transport, the length is only 6040mm. Since there is less overhang when placed on a truck bed, it enables easier and safer transport from location to location.

Stability-conscious form

Its design puts the emphasis on stability. And by attaching the optional 400kg counterweight, stability is boosted even more. Count on it for the stability on a par with standard excavators.



Easy operation of a world standard

Smooth operation

Developed with precision operation in mind, the new control valve enables a high level of precision control. Also, to reduce the lowering of attachments, an anti-drift valve has been equipped as standard.

Shockless valve for rotation and travel

Use of a shockless valve provides smooth movement during rotation or when starting or stopping.

Comfort of a world standard

Cabin

This model is equipped with a hinged-door cabin with a roomy interior. You can choose between **NX Type Cabin** with minimal extrusion beyond the crawler when the door is opened, or the **J Type Cabin** which offers a wide opening door for easier entry and exiting.



Comfortable operating environment

The 80NX has been equipped with a high-back seat and suspension unit, known for their durability, solid feel and comfortable form. They support the operator, providing an operating environment with less fatigue and higher precision.



Blower type radiator fan

Equipped with a blower type radiator fan. Since heat that would otherwise accumulate under the operator's seat is drawn out of the cabin, it prevents hot air from saturating the interior.



Cabin shown is J Type

**BIG PERFORMANCE
EASY OPERATION**

80NX

Operating weight	7600kg
Bucket capacity	0.11m ³ ~0.28m ³ (std.0.25m ³)
Crawler width	2200mm
Tail swing radius	1100mm
Max. digging depth	4200mm

Cabin shown is J Type



Additional counter weight is optional

IHI assures the safety you can rely on.

Eco-friendliness of a world standard

Environmentally friendly engine

The 80NX is equipped with an advanced engine that has been developed with the next wave of stricter regulations in Japan, U.S.A. and Europe taken into consideration.



Low noise design

Low noise has been achieved through advances in engine cover, sound insulation, and radiator fan design.

Easy maintenance of a world standard

Simplified maintenance

Checking and maintenance of the engine is made simpler thanks to the fully opening engine cover. Also, an automatic air bleeder is equipped as standard. Since the upper frame's left cover is detachable, the control valve can be easily accessed for servicing. With an inspection cover on the right side of the operator's seat, fueling, as well as battery inspection and replacement, can be done with ease. A tool box to store a grease gun and other tools is also equipped.



Engine cover



Inspection cover and tool box

Protective features of a world standard

Improved durability

By enlarging the swing bracket pin, a higher degree of durability was attained. A derail-resistant metal has been incorporated into the crawler. Wear and tear of the inside surface of the rubber crawler has been reduced by re-shaping the space between the rollers of the lower frame.



80NX

Operating weight	7600kg
Bucket capacity	0.11m ³ ~0.28m ³ (std.0.25m ³)
Crawler width	2200mm
Tail swing radius	1100mm
Max. digging depth	4200mm

Cabin shown is J Type





Large dozer blade

A large, 500mm-high dozer blade is equipped as standard. It makes bulldozing easier and offers high durability. Tough, square tubular metal has been used for the arms.



Attachment hose storage

Allows the arm and bucket cylinder hose to be completely stowed, while positioning the boom cylinder hose to the rear, thereby minimizing wear and tear on the hoses.

Link chain rubber roller (optional)

The link chain rubber roller is available optionally. This minimizes the possibility of shoe dislocation, and looks smoother from the outside.



Safety of a world standard

Swing parking brake

Eliminates swing drift on inclined surfaces, and makes a swing lock mechanism unnecessary during transport.

Gate lock

A safety gate lock that inhibits misoperation while entering or exiting the operator's seat has been equipped.

Seatbelt

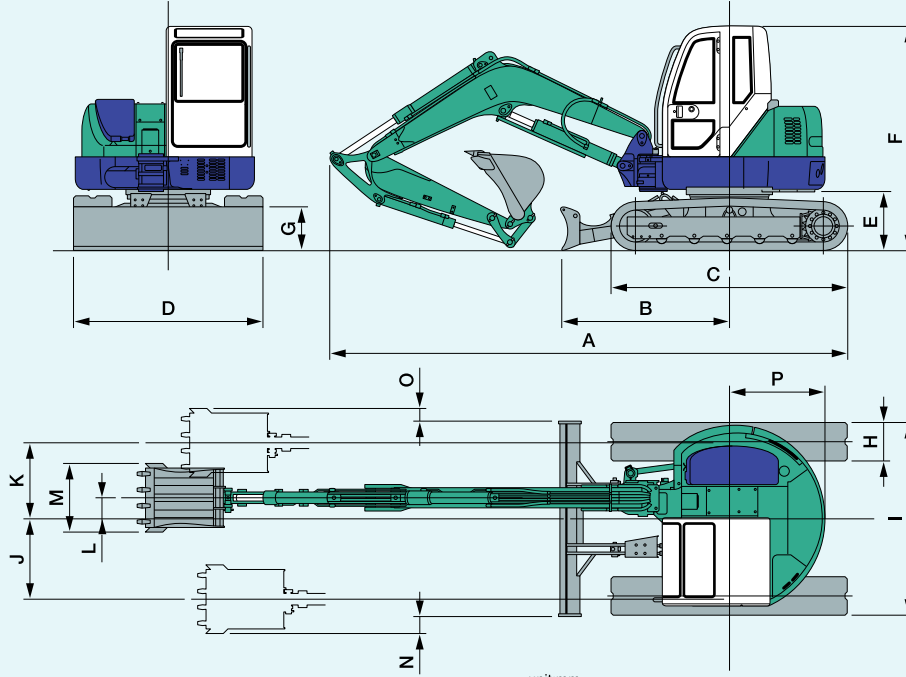
To ensure operator safety, a seatbelt has been equipped as standard.

Cabin shown is J Type

Additional counter weight is optional

SAFETY and ECO-FRIENDLINESS
DURABILITY and MAINTENANCE

80NX-3 Dimensions

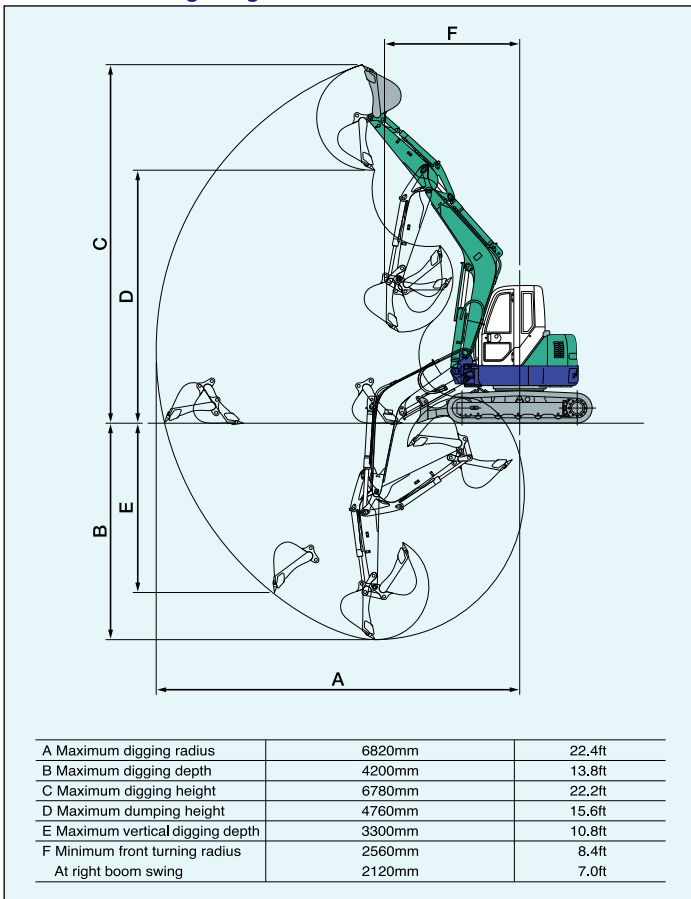


unit:mm

	A	B	C	D	E	F	G	H	I	J	K	L	M	N	O	P
80NX-3	6040	1920	2730	2200	680	2580	500	450	2200	930	860	230	760	210	140	R1100

Figure is in proportion to NX Type Cabin with std. rubber shoes.

80NX-3 Working Range



80NX-3 Specifications

● Performance		
STD. Bucket capacity (ISO)	0.25m ³	8.8ft ³
STD. Bucket width	760mm	29.9"
Operating weight (Cabin)	7600kg	16755lbs
Machine weight (Cabin)	6060kg	13360lbs
Swing speed	9.2min ⁻¹	9.2rpm
Travel speed (Low)	2.6km/h	1.6mph
Travel speed (High)	4.3km/h	2.7mph
Gradeability	30°	
Ground pressure	36kPa	5.2psi
Max. bucket digging force	55kN	12365 lbs
● Engine		
Model	ISUZU CC-4JG1	
Rated output	40.8kW/2100min ⁻¹ (55.5PS/2100rpm)	54.7HP/2100rpm
Fuel tank capacity	70L	18.5gal
● Boom swing system		
Type; Boom offset	Boom offset with hydraulic cylinder	
Swing angle (L/R)	90°/50°	
● Hydraulic system		
Pressure	24.5MPa x 2+21.6MPa	3550psi x 2+3130psi
Pump hydraulic flow	71.4L/min x 2+53.1L/min	18.8gpm x 2+14.0gpm
● Dozer blade		
Size (Width x Height)	2200mm x 500mm	86.6" x 19.7"
Lift above ground	435mm	17.1"
Drop below ground	420mm	16.5"

Options

Loading bucket capacity/width(ISO)	0.11m ³ (450mm)	3.9ft ³ (17.7")
	0.16m ³ (550mm)	5.6ft ³ (21.7")
	0.21m ³ (650mm)	7.4ft ³ (25.6")
	0.28m ³ (760mm)	9.9ft ³ (29.9")
Additional counter weight(400kg)	○	
Steel shoe	Width:450mm	17.7"
Rubber padded crawler(400mm width)	○	
Cabin	J Type or NX Type	
Air conditioner	○	
Power port/Auxiliary hydraulic flow	71.4L/min	18.8gpm
Double-element filter	○	
Long arm	○	

IHI IHI Construction Machinery Limited
Kishi-Tokai Bldg., 8-4-4, Nishikamata, Ota-ku, Tokyo, 144-8577, Japan
Phone:81-3-5714-8844 Fax:81-3-5714-8840,8843

Photographs appearing in the catalog were taken for publication and may differ in some cases from actual objects. Specifications are subject to change without notice due to technical improvements or modifications.

Distributed by

